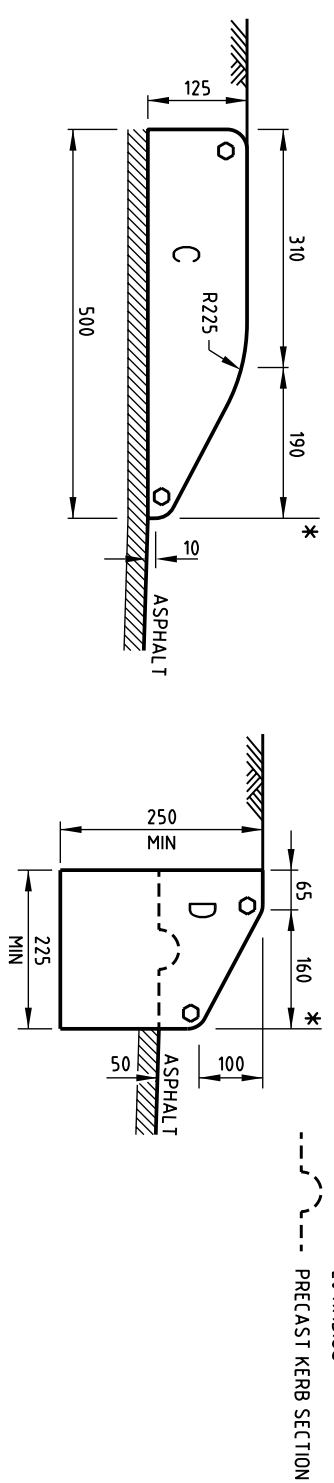
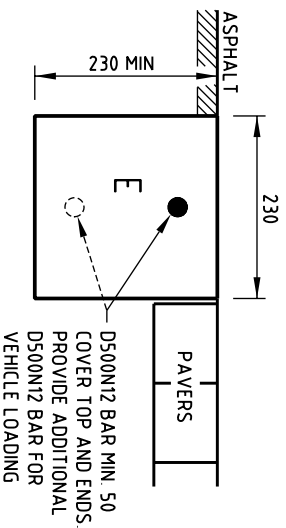


**BARRIER TYPES**

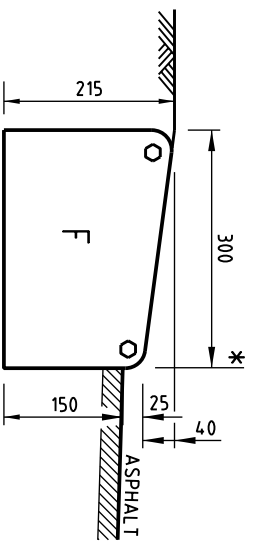


**SEMI-MOUNTABLE TYPE**

**MOUNTABLE TYPE**



**EDGE RESTRAINT**



**KERB EDGE RESTRAINT**

**LEGEND:**

- \* NOMINAL KERB LINE
- 20 RADIUS
- PRECAST KERB SECTION

**PRECAST NOTES:**

1. ALL RECESSES TO BE  $\phi 50\text{mm}$  UNLESS SHOWN OTHERWISE.
2. BLOCKS TO BE BEDDED WITH MORTAR ON AN APPROVED PRIME SEAL AS DETAILED IN THE PRECAST MORTAR BED DETAIL ON STD. DWG. No. 05-02-102.

**EXTRUDED NOTES:**

1. PROVIDE SQUARE EDGE TO KERBING WHERE SEGMENTED PAVING ABUTS.
2. CONCRETE FOR KERB SECTIONS TO BE GRADE S25. (KERB MIX - 7mm OR 10mm AGGREGATE).
3. ALL KERB SECTIONS TO BE BEDDED ON TOP OF THE SUB-BASE PAVEMENT LAYER OR A 75 MM COMPACTED CLASS 2 (MIN) GRAVEL UNLESS DIRECTED OTHERWISE BY COUNCIL.
4. CONTROL JOINTS SHALL BE APPROXIMATELY 3.0m CENTRES OR AS DIRECTED BY COUNCIL.
5. FOR SURFACE MOUNTED KERB TYPES A, B AND D USE EXPANSION JOINTS PROVIDING FULL DEPTH CLOSED CELL CROSSLINKED POLYETHYLENE FOAM ( $85-150\text{kg/m}^3$ ) AT 12m CENTRES UNLESS OTHERWISE DIRECTED BY COUNCIL.
6. PROVIDE EXPANSION JOINTS WHERE K&C ABUTS SUBSTANTIAL EXISTING STRUCTURES SUCH AS BRIDGES OR WHERE DIRECTED. WHERE RELEVANT LOCATE JOINTS TO LINE UP WITH EXPANSION JOINTS IN ADJACENT STRUCTURES SUCH AS RIGID PAVEMENTS AND CONCRETE SLABS. JOINT MATERIALS AS PER NOTE 5.
7. HEAVY DUTY PROFILES TO BE USED IN INDUSTRIAL AND COMMERCIAL AREAS.
8. CONCRETE TO BE COMPACTED AND FINISHED WITH STEEL FLOAT.
9. COUNCIL APPROVAL IS REQUIRED PRIOR TO PLACING EXTRUDED KERB ON EXISTING ASPHALT AND  $\phi 12$  SS BARS 300 LONG ARE TO BE PLACED AT 1m CENTRES WITH 150 MIN EMBEDMENT INTO PAVEMENT.

**GENERAL NOTES:**

1. ALL KERB SECTIONS SHALL BE EXTRUDED UNLESS DIRECTED OTHERWISE BY THE SUPERINTENDENT.
2. WHERE KERB ENTRY ADAPTORS ARE USED THEY SHALL BE G.C.C. APPROVED REFER KERB ENTRY DETAIL ON G.C.C. STD. DWG. No. 05-02-006.
3. DIMENSIONS ARE IN MILLIMETRES UNLESS SHOWN OTHERWISE.

**KERB SECTIONS**

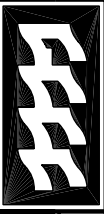
THIS DRAWING IS NOT TO BE AMENDED WITHOUT REFERENCE TO STANDARDS COMMITTEE

CONTROLLED DOCUMENT

DO NOT SCALE TAKE FIGURED DIMENSIONS ONLY

**STANDARD DRAWING**

MICROFILMED



Gold Coast City Council  
PO Box 5942  
GOLD COAST MC 9729

No.	AMENDMENT	APPROVED	DATE	ISSUED

DRAWN BY	TECHNICAL SERVICES BRANCH	APPROVED	DATE

DO NOT SCALE TAKE FIGURED DIMENSIONS ONLY	ISSUE

STANDARD No.	ISSUE
05-02-101	2005 EDITION

**KERB PROFILES  
PLAN 1 OF 2**