

MOUNTABLE KERB

SEMI MOUNTABLE KERB

BELOW ROAD SURFACE

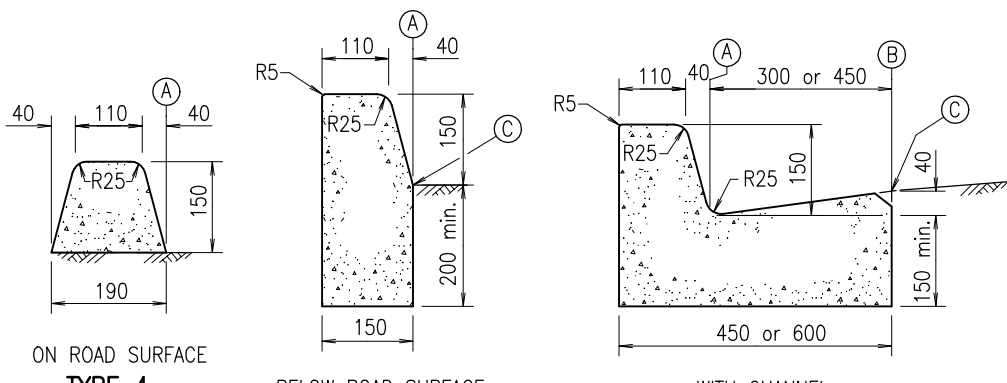
WITH CHANNEL

TYPE 12 (DEPTH 125)

TYPE 13 (DEPTH 125 + 'AA')

TYPE 14 (300 CHANNEL)

TYPE 15 (450 CHANNEL)

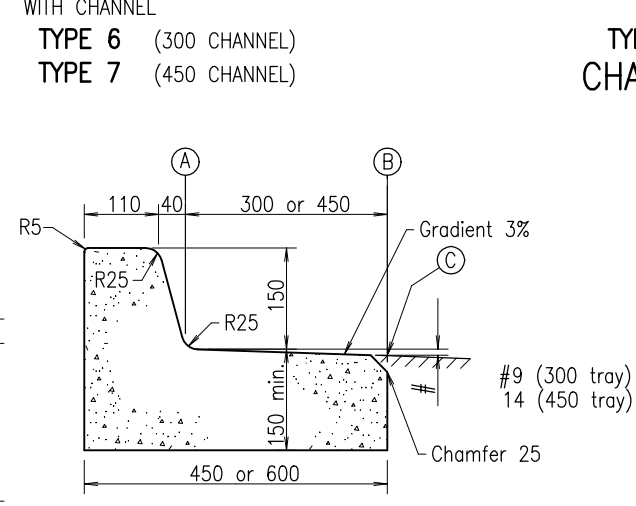
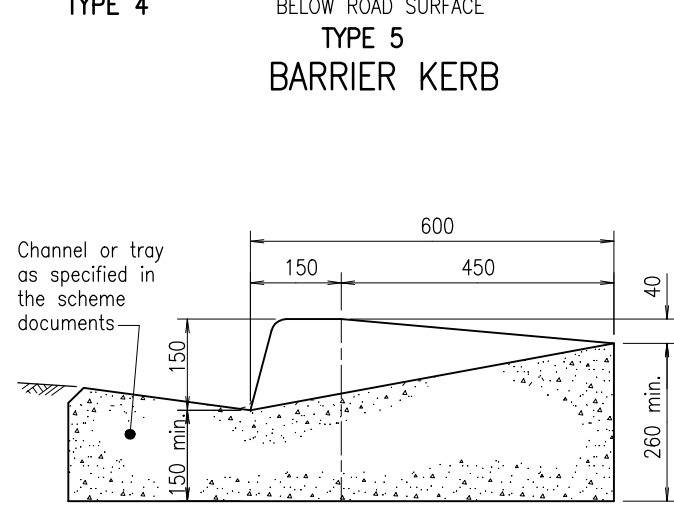


BARRIER KERB

CHANNEL

TYPE 22 CHANNEL

TYPE 28 CHANNEL

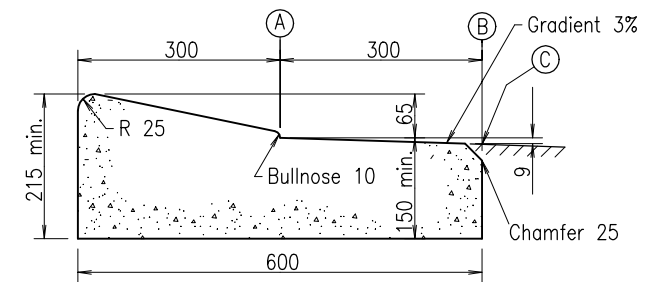


BARRIER KERB AND TRAY

SEMI MOUNTABLE KERB AND TRAY

REFERENCE POSITIONS

- (A) Line of kerb
- (B) Line of channel
- (C) Height reference



NOTES :

1. CHANNEL THROAT THICKNESS of 150mm and portion of kerbs below finished surface shown is a minimum. The underside of the section should preferably coincide with the top of a pavement layer in level and slope.
2. TRANSITIONING between kerb types to be carried out over 5m.
3. CONCRETE to be Grade N32/10.
4. ASPHALT ALLOWANCE 'AA' provides for initial asphalt layer and/or future overlay as indicated in the documents.
5. DETAILS TO BE SHOWN ELSEWHERE IN THE DOCUMENTS :
 Width of vehicle crossing 'W' (if not standard), kerb type, kerb with channel type, kerb with tray type and channel type.
6. RAMPED PEDESTRIAN CROSSING TYPES 18 to 21 are shown on Standard Drawing 1446.
7. DIMENSIONS in millimetres unless shown otherwise.

ASSOCIATED DOCUMENTS :

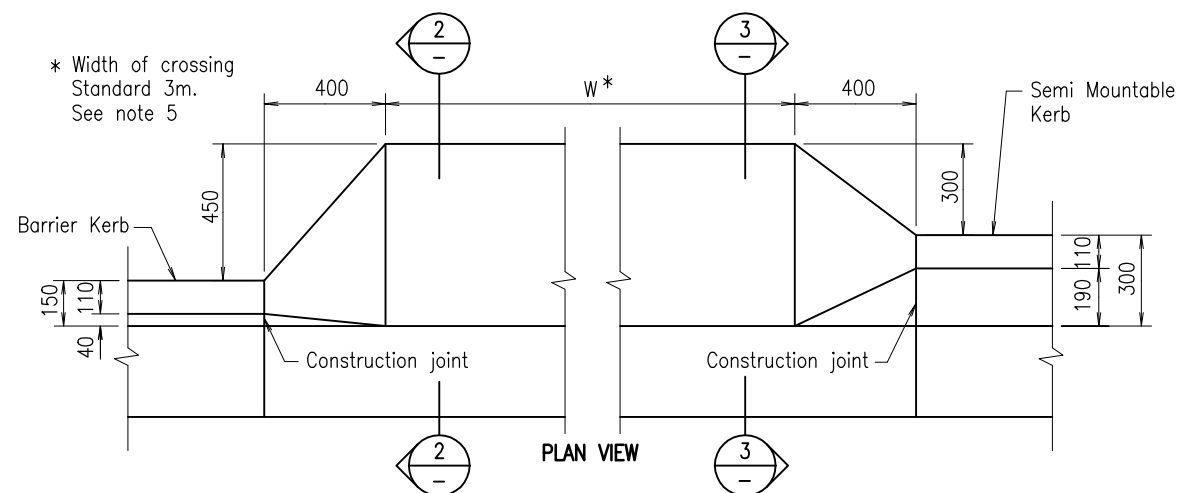
Department of Main Roads Manual of Standard Drawings Roads
 Department of Main Roads Manual of Standard Specifications Roads

REFERENCED DOCUMENTS :

- Standard Drawings :
 1446 Kerb Ramp - Ramped Pedestrian Crossing
- Standard Specifications :
 Drainage, Retaining Structures and Protective Treatments
- Australian Standards :
 AS 2876 Concrete Kerbs and Channels (Gutters) - Manually or Machine Placed

SECTION 2

SECTION 3



RAMPED VEHICULAR CROSSING

KERB AND CHANNEL		
	Size A3	Drawing No
KERBS, CHANNELS AND RAMPED VEHICULAR CROSSING	Scales as shown	1033
		Date 6/02
		F G H I